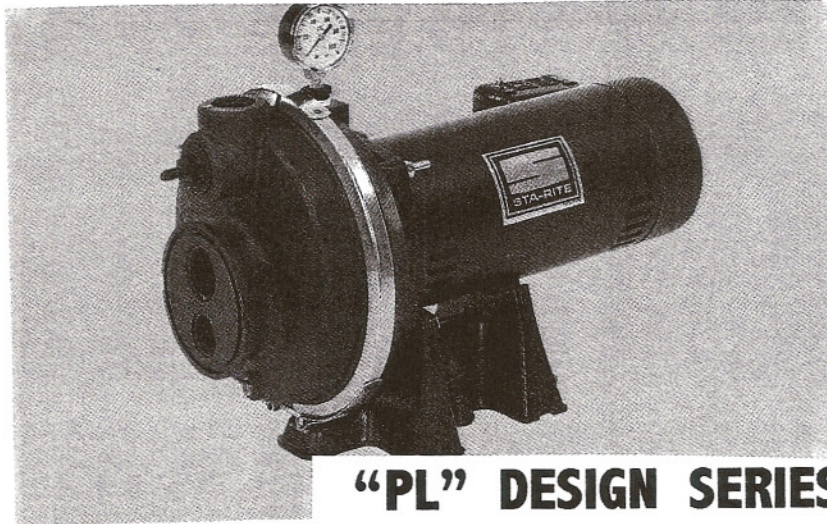
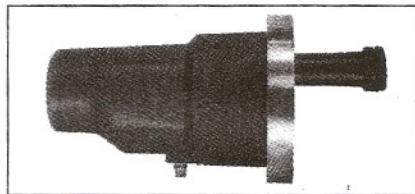


PLASTIC WATER BOOSTER PUMPS



"PL" DESIGN SERIES



PL SERIES

FEATURES

Superior Rustproof

Construction - Pump body is Dura-Glas® fiberglass reinforced thermoplastic - lightweight, rust-proof and exceptionally strong. All components in contact with water are resistant to the corrosive and abrasive forces found in the most aggressive water conditions.

SPECIFICATIONS

Pump Body and Seal Plate - Dura-Glas®

Impeller - Noryl®

Nozzle - Noryl®

Venturi - Noryl®

O-Ring - Buna-N

Clamp - Stainless steel

Shaft - Stainless steel

Diffuser - Reinforced polypropylene with brass wear ring

Shallow Well Jet - Sold separately

Pressure Switch Pre-Set - 30-50 PSI

PLASTIC JETS FOR "PL" PUMPS

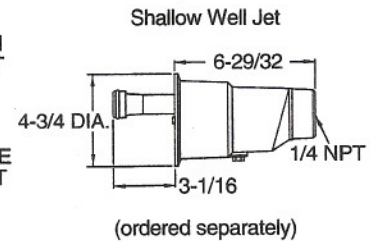
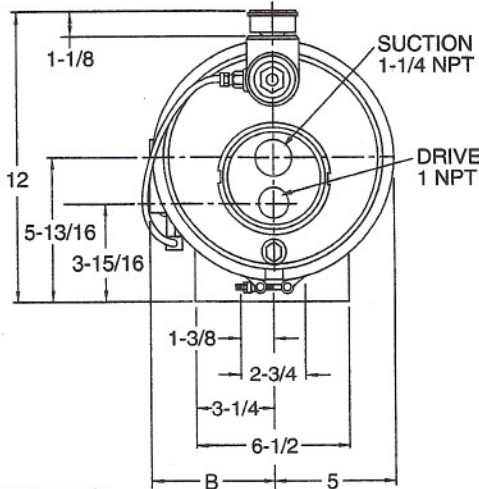
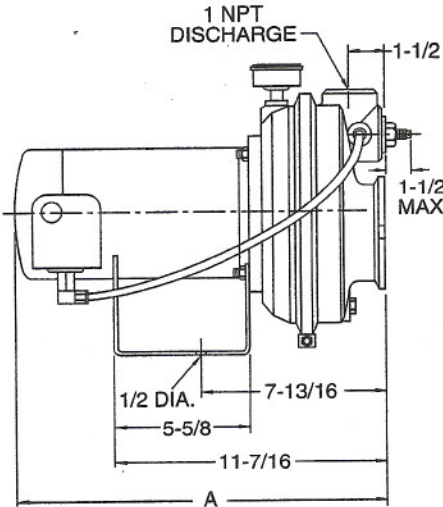
PUMP PERFORMANCE-----CAPACITY SHOWN IN GALLONS PER MINUTE

| PUMP # | HP | DISCHARGE PRESSURE | SUCTION LIFT (IN FEET) | | | | SHUT OFF PRESSURE AT 0 FT. LIFT |
|------------------------------|----|-----------------------|------------------------|----------|----------|-----|--|
| | | | 5' | 10' | 15' | 20' | |
| PLC-----1/2 W/ JET#-21N | | 30 PSI-----9 | GPM----8 | GPM----6 | GPM----5 | GPM | 57 PSI |
| | | 40 PSI-----9 | GPM----7 | GPM----6 | GPM----5 | GPM | |
| | | 50 PSI-----5 | GPM----5 | GPM----4 | GPM----3 | GPM | |
| PLD-----3/4 W/ JET#-22N | | 30 PSI-----15 | GPM---14 | GPM---12 | GPM---9 | GPM | 57 PSI |
| | | 40 PSI-----15 | GPM---13 | GPM---11 | GPM---9 | GPM | |
| | | 50 PSI-----8 | GPM---7 | GPM---5 | GPM---3 | GPM | |
| PLE-----1 W/ JET#-23N | | 30 PSI-----21 | GPM---18 | GPM---15 | GPM---12 | GPM | 57 PSI |
| | | 40 PSI-----20 | GPM---18 | GPM---15 | GPM---12 | GPM | |
| | | 50 PSI-----13 | GPM---11 | GPM---8 | GPM---5 | GPM | |
| PLF-----1-1/2 W/ JET#-24N | | 30 PSI-----26 | GPM---23 | GPM---20 | GPM---16 | GPM | 57 PSI |
| | | 40 PSI-----26 | GPM---23 | GPM---20 | GPM---15 | GPM | |
| | | 50 PSI-----21 | GPM---19 | GPM---16 | GPM---11 | GPM | |

JETS FOR ABOVE PUMP PERFORMANCE MUST BE ORDERED SEPARATELY.
 ORDER JETS SEPARATELY-----JETS ARE LISTED ON NEXT PAGE.

OUTLINE DIMENSIONS

PLASTIC WATER BOOSTER PUMPS



| Cat No. | HP | A | B |
|---------|-------|--------|--------|
| PLC | 1/2 | 14-7/8 | 5-1/8 |
| PLD | 3/4 | 15-5/8 | 5-1/8 |
| PLE | 1 | 16-1/8 | 5-1/8 |
| PLF | 1-1/2 | 17-1/8 | 5-7/16 |

Dimensions (in inches) are for estimating purposes only.

"PL" DESIGN SERIES

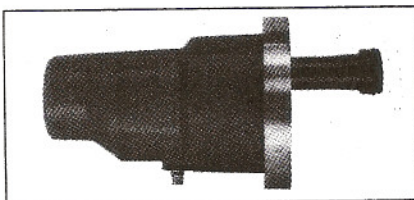
"PL" DESIGN SERIES BOOSTER PUMPS

| MODEL | HP | PHASE | MOTOR STYLE | VOLTAGE | DISCH. SIZE | APPROX. WEIGHT |
|-------|-------|-------|-------------|---------|-------------|----------------|
| PLC | 1/2 | 1 | ODP | 115/230 | 1" | 33 LBS |
| PLD | 3/4 | 1 | ODP | 115/230 | 1" | 34 LBS |
| PLE | 1 | 1 | ODP | 115/230 | 1" | 36 LBS |
| PLF | 1-1/2 | 1 | ODP | 115/230 | 1" | 42 LBS |

(JETS FOR ABOVE PUMPS MUST BE ORDERED SEPARATELY---SEE BELOW)

PLASTIC JETS FOR "PL" PUMPS

PLASTIC SHALLOW WELL JETS
 (FOR ABOVE PUMPS)



| JET# | FOR |
|------|-------------------|
| 21N | FOR 1/2 HP PUMP |
| 22N | FOR 3/4 HP PUMP |
| 23N | FOR 1 HP PUMP |
| 24N | FOR 1-1/2 HP PUMP |