

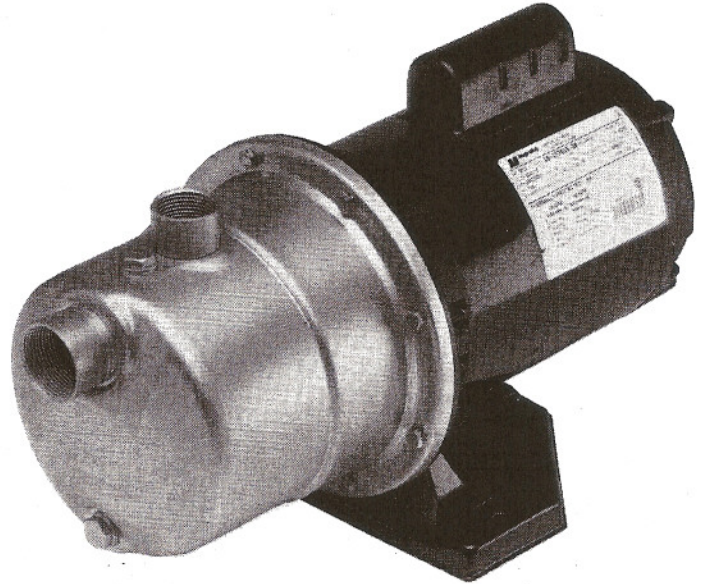
Centrifugal Pump Self Priming / Stainless Steel

Materials of Construction

Case.....304 Stainless Steel
 Impeller.....304 Stainless Steel
 Shaft.....Stainless Steel
 Bracket.....Aluminum
 Mechanical Seal.....Carbon / Ceramic

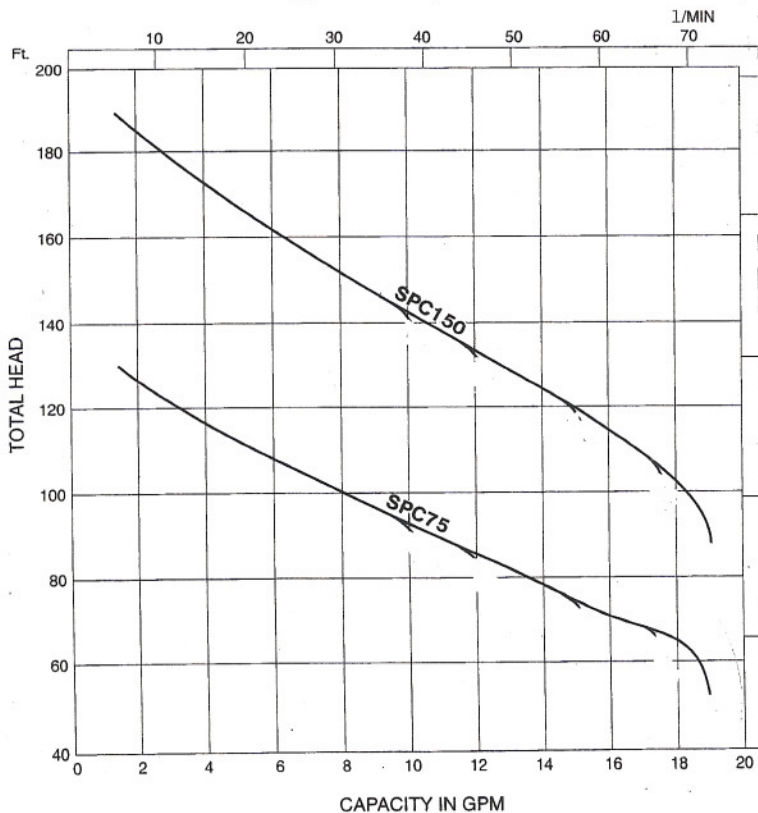
Liquid Handled

Type of Liquid.....Clean Water
 Temperature of Liquid.....113 degrees (F) Max.
 Working Pressure.....85 PSI Max.



Curves And Specifications

60Hz (Synchronous speed: 3450 RPM)

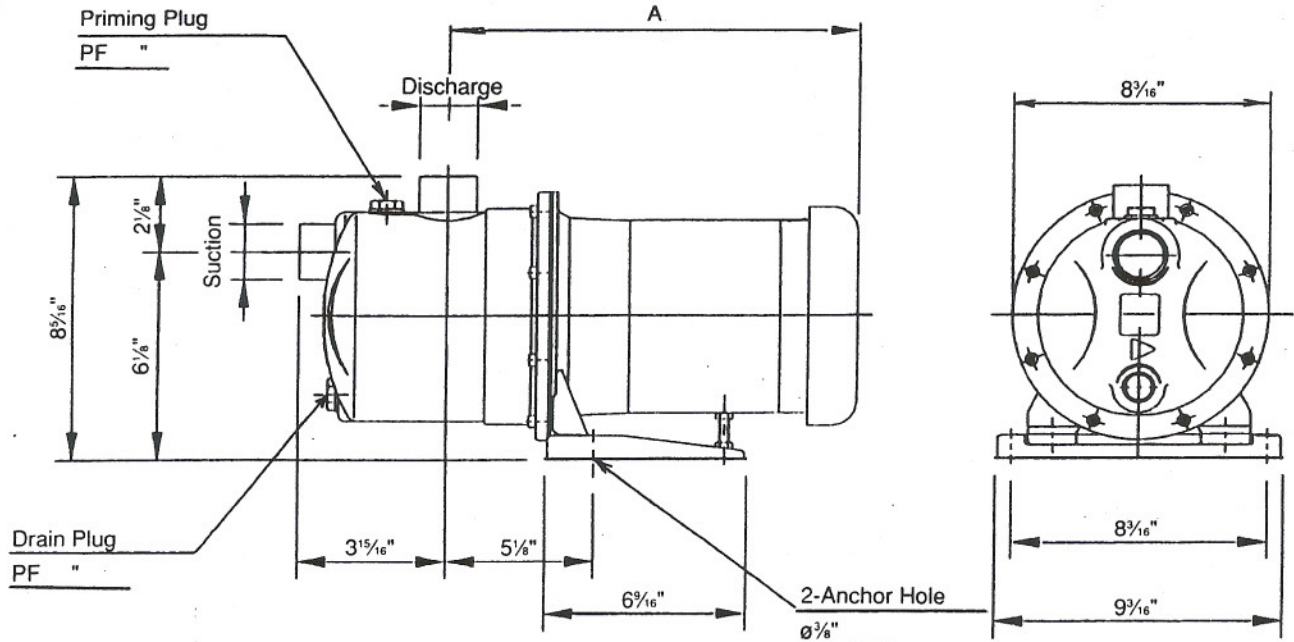


Features

- Close Coupled...**For smooth transmission of power.
- 304L Stainless Steel...** Pump case, motor bracket and impeller.
- Centerline Discharge...**Provide maximum resistance to misalignment.
- Non-Overloading Motor...**Rated for continuous duty throughout the entire operating range.
- High Operating Efficiency...**Over a wide range of capacities.
- Back Pullout Design...**For ease of servicing the pump without disturbing the piping system.
- Mechanical Seal...** For maximum reliability and economic value.

Self Priming Centrifugal Pump

Dimensions For Stainless Steel Self Priming Centrifugal Pumps



Model No.	Discharge / Suction / Imp. (inch-NPTF)	" A " Dimension	Unit Weight (lbs.)			
			Single Phase		Three Phase	
			ODP	TEFC	ODP	TEFC
SPC75	1" X 1 1/4" X 4 1/2"	15 1/8"	37	41	39	43
SPC150	1" X 1 1/4" X 5 3/16"	15 9/16"	42	46	44	48

"SPC" SERIES STAINLESS STEEL CENTRIFUGAL PUMP
CLOSE COUPLED-----SELF PRIMING DESIGN
 60 CYCLE---RATED FOR CONTINUOUS DUTY---NEMA 56-J MOTOR
 1-1/4 INCH SUCTION & 1 INCH DISCHARGE
 MAXIMUM PUMP HOUSING WORKING PRESSURE---85 PSI MAX.
 GOOD FOR TEMPERATURES UP TO 113 F

<u>MODEL</u>	<u>HP</u>	<u>PHASE</u>	<u>VOLTAGE</u>	<u>MOTOR TYPE</u>	<u>APPROX. WEIGHT LBS.</u>
SPC75-----	3/4	1	115/230	ODP	37
SPC75T-----	3/4	1	115/230	TEFC	41
SPC75-3-----	3/4	3	230/460	ODP	39
SPC75-3T-----	3/4	3	230/460	TEFC	43
SPC150-----	1-1/2	1	115/230	ODP	42
SPC150T-----	1-1/2	1	115/230	TEFC	46
SPC150-3----	1-1/2	3	230-460	ODP	44
SPC150-3T----	1-1/2	3	230/460	TEFC	48